

# Product data sheet

## Characteristics

# MGL26450

Circuit Breaker, PowerPact M, unit mount, electronic trip, 450A, 2 pole, 18 kA, 600 VAC, lugs both ends



Price\*: 5960.00 USD



### Main

Product or component type	Circuit breaker
---------------------------	-----------------

### Complementary

Line Rated Current	450 A
Poles description	2P
Breaking capacity code	G
Magnetic tripping current	900...4500 A
Electrical connection	Lugs load Lugs line
Terminal identifier	AL800M23K
Tightening torque	442.54 Lbf.In (50 N.m) 0.15...0.37 in <sup>2</sup> (95...240 mm <sup>2</sup> ) (AWG 3/0...500 kcmil)
Height	12.86 In (326.6 mm)
Width	0.32 In (8.06 mm)
Depth	8.27 In (210 mm)
Continuous current rating	80 %

### Ordering and shipping details

Category	01205-MG, MJ UNIT MOUNT BREAKER
Discount Schedule	DE2
GTIN	00785901689645
Package weight(Lbs)	28.00 Lb(US) (12.701 kg)
Returnability	Yes
Country of origin	US

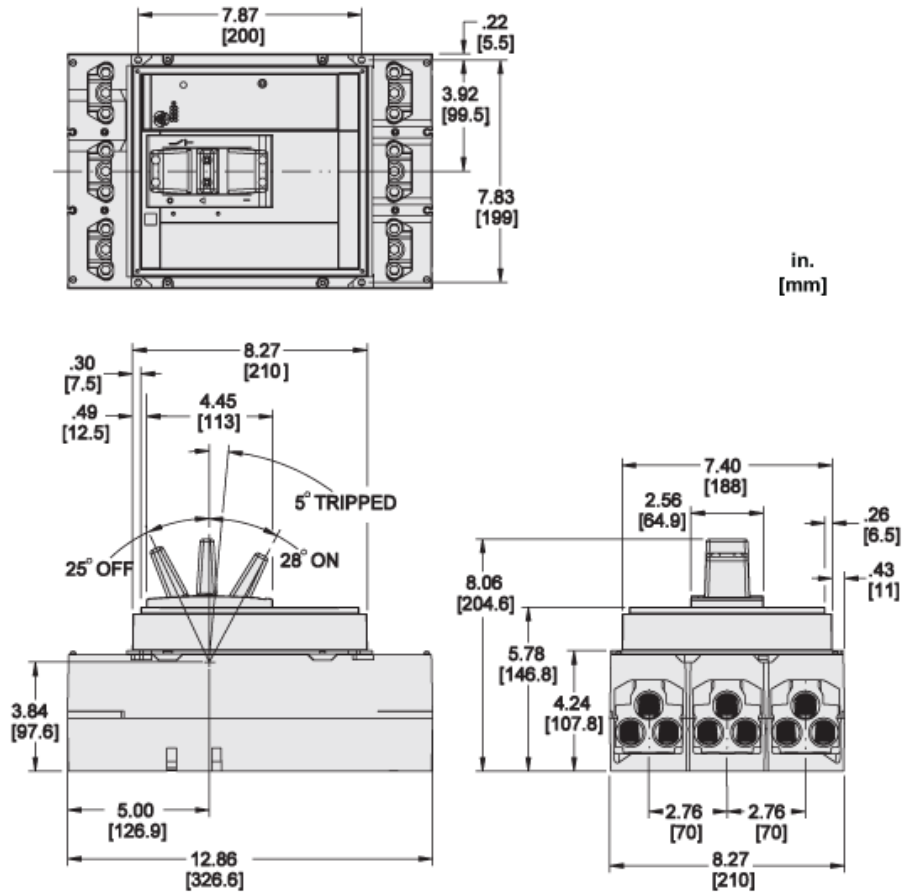
## Offer Sustainability

Sustainable offer status	Green Premium product
California proposition 65	WARNING: This product can expose you to chemicals including: DIN-P, which is known to the State of California to cause cancer, and DID-P, which is known to the State of California to cause birth defects or other reproductive harm. For more information go to <a href="http://www.P65Warnings.ca.gov">www.P65Warnings.ca.gov</a>
REACH Regulation	<a href="#">REACH Declaration</a>
EU RoHS Directive	Compliant <a href="#">EU RoHS Declaration</a>
Mercury free	Yes
RoHS exemption information	<a href="#">Yes</a>
China RoHS Regulation	<a href="#">China RoHS Declaration</a>
Environmental Disclosure	<a href="#">Product Environmental Profile</a>
Circularity Profile	<a href="#">End Of Life Information</a>
PVC free	Yes

## Contractual warranty

Warranty	18 months
----------	-----------

Approximate Dimensions



in.  
[mm]

Product Life Status : **End of commerc. announced**

MGL26450 may be replaced by any of the following products:



MGL26800E10

Circuit breaker, PowerPact M, adj trip, unit mount, 300A-800A, 2 pole, 18 kA, 600 V, lugs

Qty 1

Substitution date: |